

Explorer® 4200DVB™

Digital Home Communications Terminal

User's Guide

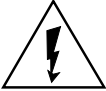
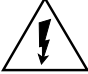



In This Guide

Safety Operation	2
Getting Started	4
Installing the Set-Top	5
Joining the Explorer eClub	5
Selecting Your Connection	6
Understanding the Front Panel	7
Understanding the Back Panel	8
Connecting Optional IR Devices	9
Connecting Entertainment Devices	10
Watching TV	13
Replacing the Mains Plug Fuse	14
Performance Tips	15
Notices	16

IMPORTANT RULES FOR SAFE OPERATION

Cautions and Warnings

 <p>This symbol is intended to alert you of the presence of important operating and maintenance (servicing) instructions in the literature accompanying this product.</p>	 <p>This symbol is intended to alert you that uninsulated voltage within this product may have sufficient magnitude to cause electric shock. Therefore, it is dangerous to make any kind of contact with any inside part of this product.</p>	 <table border="1"><tr><td>CAUTION</td></tr><tr><td>RISK OF ELECTRIC SHOCK DO NOT OPEN</td></tr><tr><td>AVIS</td></tr><tr><td>RISQUE DE CHOC ÉLECTRIQUE NE PAS OUVRIR</td></tr></table> 	CAUTION	RISK OF ELECTRIC SHOCK DO NOT OPEN	AVIS	RISQUE DE CHOC ÉLECTRIQUE NE PAS OUVRIR
CAUTION						
RISK OF ELECTRIC SHOCK DO NOT OPEN						
AVIS						
RISQUE DE CHOC ÉLECTRIQUE NE PAS OUVRIR						
		<p>CAUTION: To reduce the risk of electric shock, do not remove cover (or back). No user-serviceable parts inside. Refer servicing to qualified service personnel.</p> <p>WARNING TO PREVENT FIRE OR ELECTRIC SHOCK, DO NOT EXPOSE THIS UNIT TO RAIN OR MOISTURE.</p>				

Read and Retain These Instructions

- Read all of the instructions before you operate this equipment. Give particular attention to all safety precautions. Retain the instructions for future reference.
- Comply with all warning and caution statements in the instructions. Observe all warning and caution symbols that are affixed to this equipment.
- Comply with all instructions that accompany this equipment.

Cleaning the Equipment

Before cleaning this equipment, unplug it from the electrical outlet. Use a damp cloth to clean this equipment. Do not use a liquid cleaner or an aerosol cleaner. Do not use a magnetic/static cleaning device (dust remover) to clean this equipment.

Placement

Place this equipment in a location that is close enough to an electrical outlet to accommodate the length of the mains cord. Place this equipment on a stable surface. The surface must support the size and weight of this equipment.



WARNING:

Avoid personal injury and damage to this equipment. An unstable surface may cause this equipment to fall.

Ventilation

This equipment has openings for ventilation that protect it from overheating. To ensure the reliability of this equipment, do not obstruct the openings.

- Do not place other equipment, lamps, books, or any other object on the top of this equipment.
- Do not place this equipment in any of the locations that follow:
 - On a bed, sofa, rug, or similar surface
 - Over a radiator or a heat register
 - In an enclosure, such as a bookcase or equipment rack, unless the installation provides proper ventilation



WARNING:

Avoid electric shock and fire hazard. Never push objects through the openings in this equipment. Objects can touch dangerous voltage points or cause electrical shorts that can result in electric shock.

Accessories

Do not use accessories with this equipment unless recommended by your cable company.

Liquid or Moisture

Do not expose this equipment to liquid or moisture. Do not place this equipment on a wet surface. Do not spill liquids on or near this equipment.

Servicing

Do not open the cover of this equipment. If you open the cover, your warranty will be void. Refer all servicing to qualified personnel only. Contact your cable company for instructions.

Mains Cord Protection

Arrange all mains cords so that people cannot walk on the cords, place objects on the cords, or place objects against the cords, which can damage the cords. Pay particular attention to cords that are at plugs, at electrical outlets, and at the places where the cords exit the equipment.

Power Sources

A label on this equipment indicates the correct power source for this equipment. Operate this equipment only from an electrical outlet that has the voltage and frequency that the label indicates.

If you are unsure of the type of power supply to your residence, consult your cable service provider or your local power company.



WARNING:

Avoid electric shock and fire hazard. Do not overload electrical outlets and extension cords. For equipment that requires battery power or other sources to operate, refer to the operating instructions for that equipment.

Damage that Requires Service

For damage that requires service, unplug this equipment from the electrical outlet. Refer service to qualified service personnel when any of the following occurs:

- There is damage to the mains cord or plug
- Liquid enters the equipment
- A heavy object falls on the equipment
- There is exposure to rain or water
- Operation is not normal (the instructions describe the proper operation)
- If you drop this equipment, or damage the cabinet of this equipment
- If this equipment exhibits a distinct change in performance

Upon completion of any service or repairs to this equipment (home terminal), the service technician will perform safety checks to determine that the equipment is in proper operating condition.

Getting Started

Introducing the 4200DVB

Congratulations! You are about to experience the finest in cable programme viewing using the Explorer® 4200DVB™ Digital Home Communications Terminal (set-top).

The 4200DVB is a set-top converter that can view digital signals and provides exceptional picture quality.

To begin enjoying the features of the 4200DVB, use the instructions in this guide to install the set-top and other optional devices. Learn how to use the basic functions of the set-top by reviewing the front panel diagram. Then, review the back panel diagram to locate the connections you will need to install the set-top.

To obtain additional information about the 4200DVB and its capabilities, join our online Explorer eClub. See **The Explorer eClub**, later in this guide.

When installation is complete, read the brief instructions for using the set-top. If needed, read the performance tips to give you the best possible viewing pleasure.

If you have any questions, contact your cable service provider for assistance.

Warnings and Cautions

Please read this entire guide before you install or operate this equipment. Look for the following safety symbol throughout this guide:



Read the caution or warning that appears with each safety symbol throughout this guide.



WARNING:

Electric shock hazard! Before connecting or disconnecting any cables to this home terminal, unplug all electronic devices that are or will be connected directly or indirectly to this unit.



CAUTION:

Do not place a magnet, or any type of magnetic or static dust removal device on or near this equipment. Magnetic/static devices may affect the operation of this equipment.

Installing the Set-Top

Installation Overview

The following stages provide an overview of the installation process.

1. Determine the optional electronic devices you want to connect to your set-top.
2. Disconnect all electronic devices from their AC mains receptacle.
3. Connect the set-top to your TV and VCR using the diagrams on pages 10, 11, and 12.
4. Programme your remote control to operate your TV and VCR. See your remote control user's guide.
5. Use your on-screen guide to browse and view your programme preferences.

Installation Tips

Follow these tips for proper set-top operation:

- If the AC mains is controlled by a wall switch, make sure the switch is always in the **On** position. If you switch the AC mains off, your set-top is unable to receive the periodic data updates that are sent from the cable service provider.
- To ensure proper ventilation, do not place any objects or devices on top of the set-top.

The Explorer eClub

Joining the Explorer eClub

Scientific-Atlanta invites you to join the Explorer eClub. This online club provides news and "what's up" information about your 4200DVB and offers you a chance to win prizes.

Access the Explorer eClub by logging on to the Internet and entering our Web address:

<http://www.scientificatlanta.com/explorerclub>.

Then, follow the instructions to join the club.

Serial Number

To access the Explorer eClub, you must enter the serial number of your set-top. The number is located on a bar code label on the back of your set-top.

Write the serial number here:

Important: If your system requires troubleshooting in the future, your cable service provider may request this number.



Selecting Your Connection

Introduction

This section provides a list of electronic devices that connect to your set-top. The **Optional Devices** list includes devices that may be required for specific combinations of viewing and listening preferences. Identify all of your optional devices. Then, go to the page number shown, and use the diagrams and instructions to connect these devices to the set-top.

Optional Devices

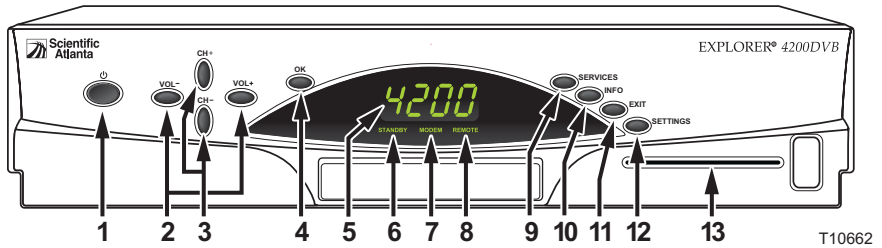
Optional devices must be installed to provide some of the specific sound and viewing preferences. Review the list of optional devices, and go to the page shown for instructions on connecting the device in your system.

- IR devices 9
 - Stereo receiver or amplifier for using external speakers 12
-

TV and VCR Setup

After you connect your optional devices, if any, use the diagrams on pages 10, 11, and 12 to set up your TV and VCR.

Understanding the Front Panel

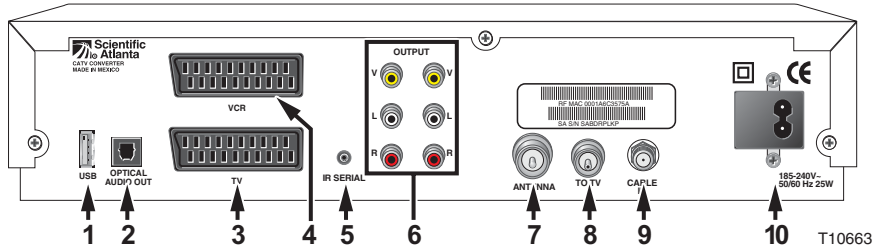


- | | | |
|-----------|-----------------------|--|
| 1 | Power | Activates the functions of the set-top |
| 2 | VOL+ and
VOL- keys | Increases or decreases volume |
| 3 | CH+ and
CH- keys | Scrolls up or down through the channels |
| 4 | OK | Confirms or accesses on-screen options |
| 5 | Display | Displays the selected channel number or time of day |
| 6 | Standby | Indicates the set-top is in standby mode |
| 7 | Modem | Indicates the modem is communicating with the set-top |
| 8 | Remote | Indicates the remote control is communicating with the set-top |
| 9 | Services | Accesses on-screen services, such as the on-screen guide, video-on-demand, or pay-per-view |
| 10 | Info | Displays a description of the selected programme; available from the on-screen guide and while viewing a programme |
| 11 | Exit | Exits menus, on-screen guide, and programme information |
| 12 | Settings | Accesses the Settings menu |
| 13 | Card slot | Allows e-commerce functions using a smart card; can also be used for conditional access* |

* Contact your cable service provider for more information.

Understanding the Back Panel

The following diagram shows the back panel of a full-feature version of the 4200DVB. Your back panel may have a subset of these features.



- | | | |
|-----------|---------------------------------|--|
| 1 | USB
(Universal Serial Bus) | Connects to certain external devices* |
| 2 | Optical Audio Out
(Optional) | Connects to a receiver, such as a surround sound receiver |
| 3 | TV | Connects to a SCART-equipped TV |
| 4 | VCR | Connects to a SCART-equipped VCR |
| 5 | IR Serial | Connects optional external remote control or IR input device |
| 6 | Audio/Video
(Optional) | Connects to left/right audio inputs of a stereo receiver or a TV with stereo sound |
| 7 | Antenna
(Optional) | Connects to terrestrial aerial |
| 8 | To TV
(Optional) | Connects to RF input of TV or VCR |
| 9 | Cable In | Connects to cable signal from cable service provider |
| 10 | AC Mains Inlet | Connect the set-top to a mains outlet |

* Contact your cable service provider for more information.

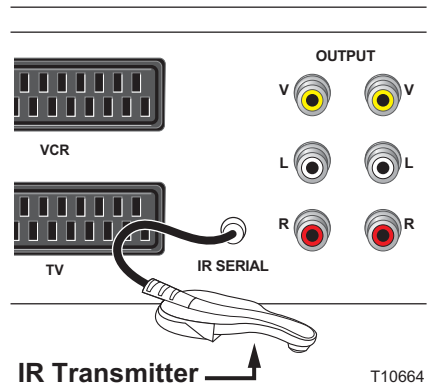
Connecting Optional IR Devices

Connecting IR Devices

If your cable service provider offers this feature, a TV or VCR can be controlled through a device consisting of an infrared (IR) transmitter and a cable. This device is an IR Blaster. Connect the IR Blaster to your set-top as shown.

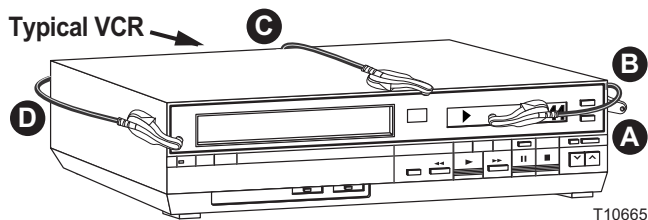
You can connect an external IR receiver device to the IR Remote In.

Note: The IR Blaster cable for your device may appear slightly different from the IR Blaster cable shown in this diagram.



After connecting the IR Blaster cable to your set-top, place the IR transmitter in one of the locations (A, B, C, or D) as shown in the following diagram. These locations represent the locations most likely to transmit IR signals to your VCR from the IR transmitter.

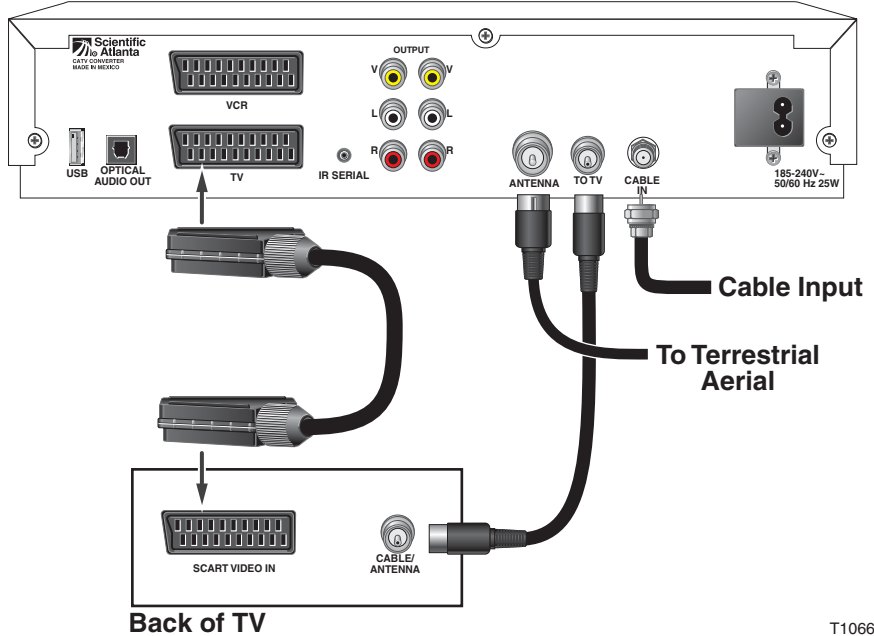
Note: Contact your cable service provider for additional information about the IR Blaster.



Connecting Entertainment Devices

Connecting a TV Using a SCART Connector

Explorer 4200DVB DHCT



T10666

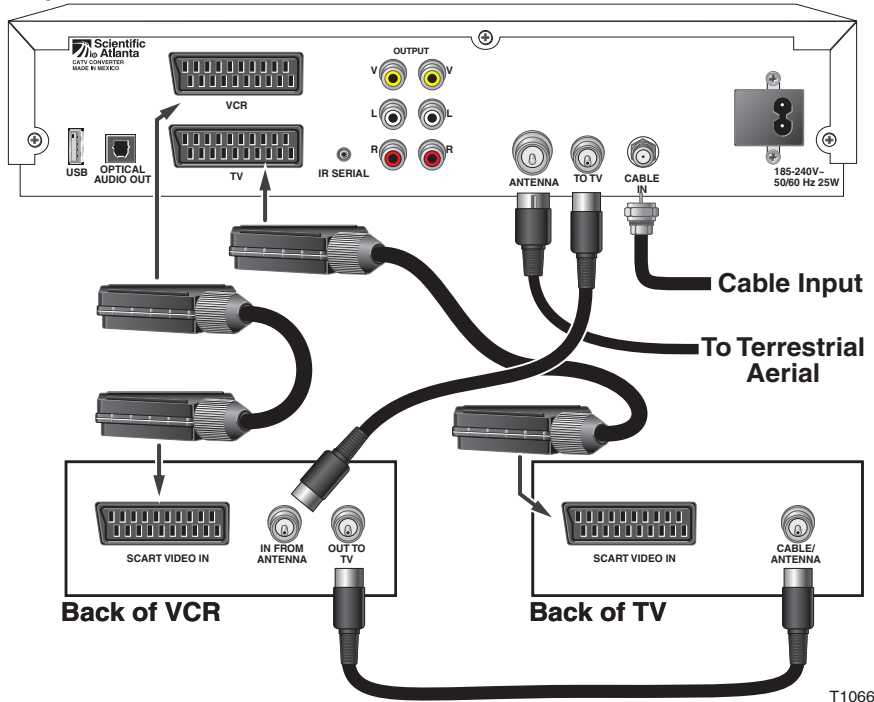


WARNING:

Electric Shock hazard! Unplug all electronic devices before connecting or disconnecting any device cables.

Connecting a TV and VCR Using a SCART Connector

Explorer 4200DVB DHCT



T10667

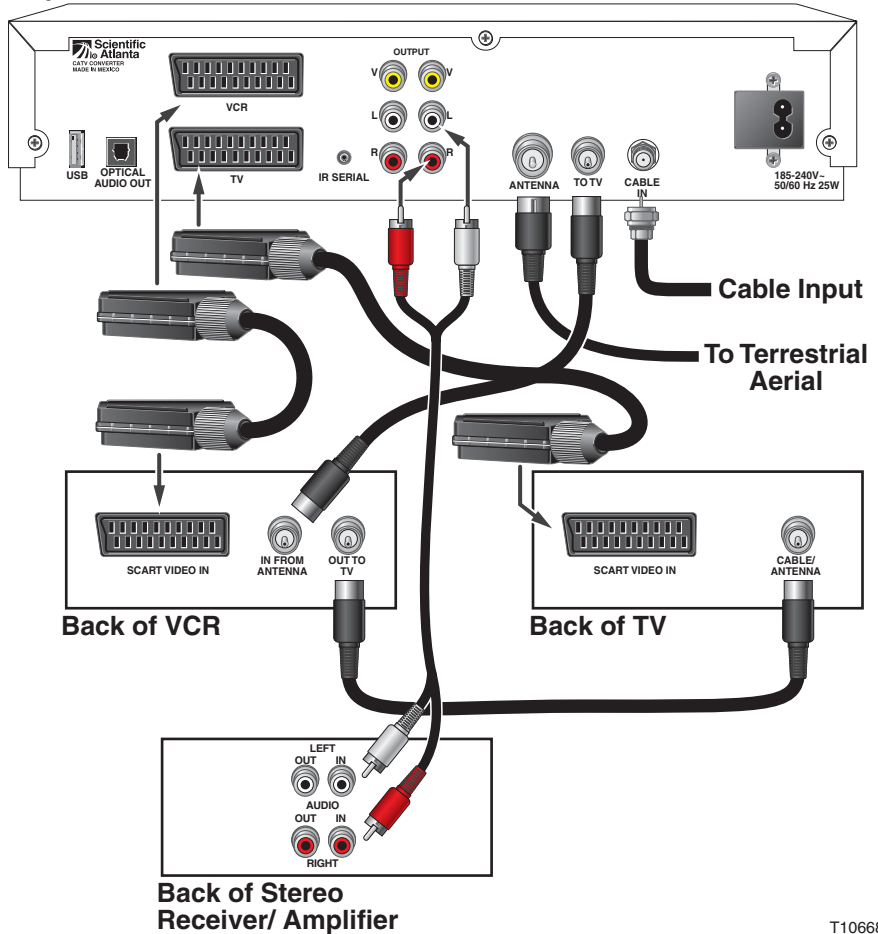


WARNING:

Electric Shock hazard! Unplug all electronic devices before connecting or disconnecting any device cables.

Connecting a TV, VCR, and Stereo Receiver Using a SCART Connector

Explorer 4200DVB DHCT



T10668




WARNING:

Electric Shock hazard! Unplug all electronic devices before connecting or disconnecting any device cables.

Watching TV

Setting Up the 4200DVB

After you connect the set-top to any additional electronic devices in your system, follow these steps to use your 4200DVB.

1. Verify that the set-top is connected to the 75 ohm coaxial cable coming from the wall.
 2. Plug the set-top and other devices into your AC mains receptacle.
Important: Do *not* press the Power key () on the set-top.
 3. Turn on the power to your TV and VCR, and tune your TV and VCR to the input channel assigned by your cable service provider.
 4. Press the Power key on the set-top.
 5. Programme your remote control to operate your TV and VCR. (Refer to your remote control user's guide for instructions.)
 6. Use your remote control keys to operate the set-top. (Refer to your remote control user's guide for navigating instructions.)
-

Using the Basic Functions of the 4200DVB

Control the volume, select channels, select on-screen functions, and change settings using the keys on the front panel of the set-top or the keys on the remote control.

Using the Remote Control and On-Screen Guide

Read the user's guides that your cable service provider included with the set-top installation package. These guides provide operating instructions for using your remote control and the on-screen guide, if applicable.

Replacing the Mains Plug Fuse

(for United Kingdom models only)

Replacing the Fuse

The mains plug that is supplied with your set-top is a non-rewireable plug. This plug contains a fuse located below the fuse cover.

If you need to replace the fuse, use a screwdriver to pry off the fuse cover. Replace the fuse with a new fuse of the same type, and then replace the fuse cover.



WARNING:

Electric shock hazard! Never use a plug if its fuse cover is missing.



T10669

Performance Tips

Check and Correct

If your set-top does not perform as expected, the following tips may help. If you need further assistance, contact your cable service provider.

No picture

- Plug your TV and set-top into an electrical outlet that is not controlled by a wall switch.
- Verify that all cables are properly connected.
- Verify that the power to your TV is turned on.
- If your system includes a VCR and/or stereo, verify that you have properly connected them to the set-top.
- Verify that your TV is tuned to the proper output channel.

Distorted picture

- Verify that all audio, coaxial, and SCART cables are properly connected.
- Adjust the TV to the input channel.

No sound

- Properly plug your TV and set-top into an electrical outlet.
- Verify that all audio, coaxial, and SCART cables are properly connected.
- Verify that the power to your TV is on.
- If your setup includes a VCR and/or stereo, verify that you have properly connected them to the set-top.
- Verify that your TV is tuned to the proper output channel.
- Verify that the volume is turned up.

No colour

- Make sure the current TV programme is broadcast in colour.
- Adjust the TV colour controls.
- Verify that all audio, coaxial, and SCART cables are properly connected.

Set-top does not work


- If the AC mains is controlled by a wall switch, make sure the switch is in the **On** position.
 - Verify that all cables are properly connected.
 - For United Kingdom models, verify that the fuse in the mains plug fuse holder has not blown. If the fuse has blown, replace the fuse. See **Replacing the Mains Plug Fuse** on page 14.
-

Notices

Trademarks

EXPLORER, Scientific-Atlanta, and the Scientific-Atlanta logo are registered trademarks of Scientific-Atlanta, Inc.

“Bringing the Interactive Experience Home” is a trademark of Scientific-Atlanta, Inc.

 is a trademark of the DVB Digital Video Broadcasting Project (1991 to 1996). Identification reference 2264.

Other trademarks listed herein are the property of their respective owners.

Documentation Copyright Notice

© 2003 Scientific-Atlanta, Inc. All rights reserved.
Printed in the United States of America.

Information in this document is subject to change without notice. No part of this document may be reproduced in any form without the express written permission of Scientific-Atlanta, Inc.

Software Use Notice

Scientific-Atlanta, Inc. owns copyrights to the software described in this document and furnishes the software to you under a license agreement. You may only use or copy this software in accordance with the terms of your license agreement.

Firmware Use Notice

Scientific-Atlanta, Inc. owns copyrights to the firmware in this equipment. You may only use the firmware in the equipment in which it is provided. Any reproduction or distribution of this firmware, or any portion of it, without the express written consent of Scientific-Atlanta, Inc., is prohibited.

Disclaimer

Scientific-Atlanta, Inc. assumes no responsibility for errors or omissions that may appear in this guide. Scientific-Atlanta reserves the right to change this guide at any time without notice.



**Scientific
Atlanta**

Scientific-Atlanta, Inc. 5030 Sugarloaf Parkway, Box 465447
© 2003 by Scientific-Atlanta, Inc. All rights reserved. Printed in USA
Part Number 4000585 Rev A

Lawrenceville, GA 30042
www.scientificatlanta.com
May 2003